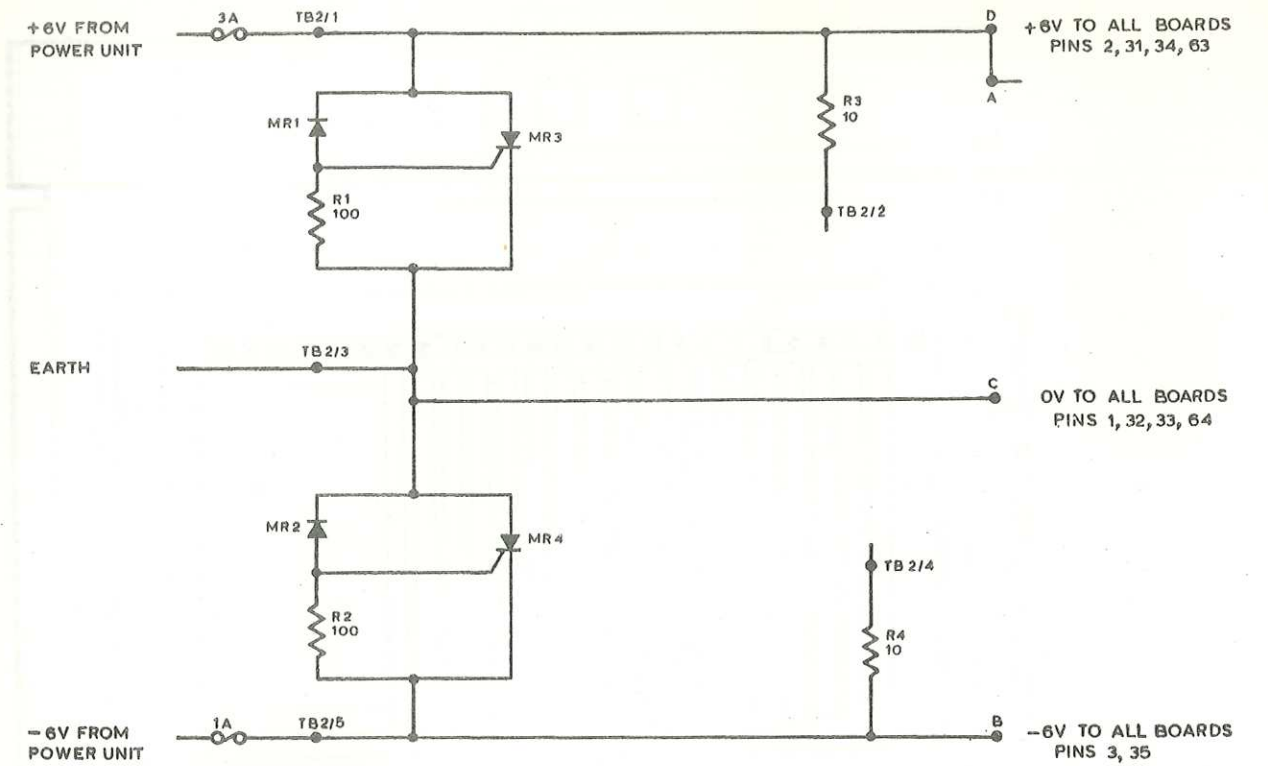


Figure 1 (ISSUE 2)

900  
4.3.1.



COMPONENT TABLE				
R	Value	Tol ± %		Cat.No.
1,2	100	5		5662
3,4	10	5		9823
MR				
1,2	Zener Diodes			2569
3,4	Control Rectifiers			11221
Fuse	3A *			815
Fuse	1A			4287
Fuse Holders				5323
Filter	1 phase	2.5A		13692 PS.444
(Early models fitted with filter P.S.581 Cat. No. 11388)				
PU1	Type	ELV500/6		11186
FU2	Type	ELV100/6		11258

\* FUSE RATING 5A IF MORE THAN 4 CHANNEL DEVICE

Figure 2 (ISSUE 3)

4.3.1.

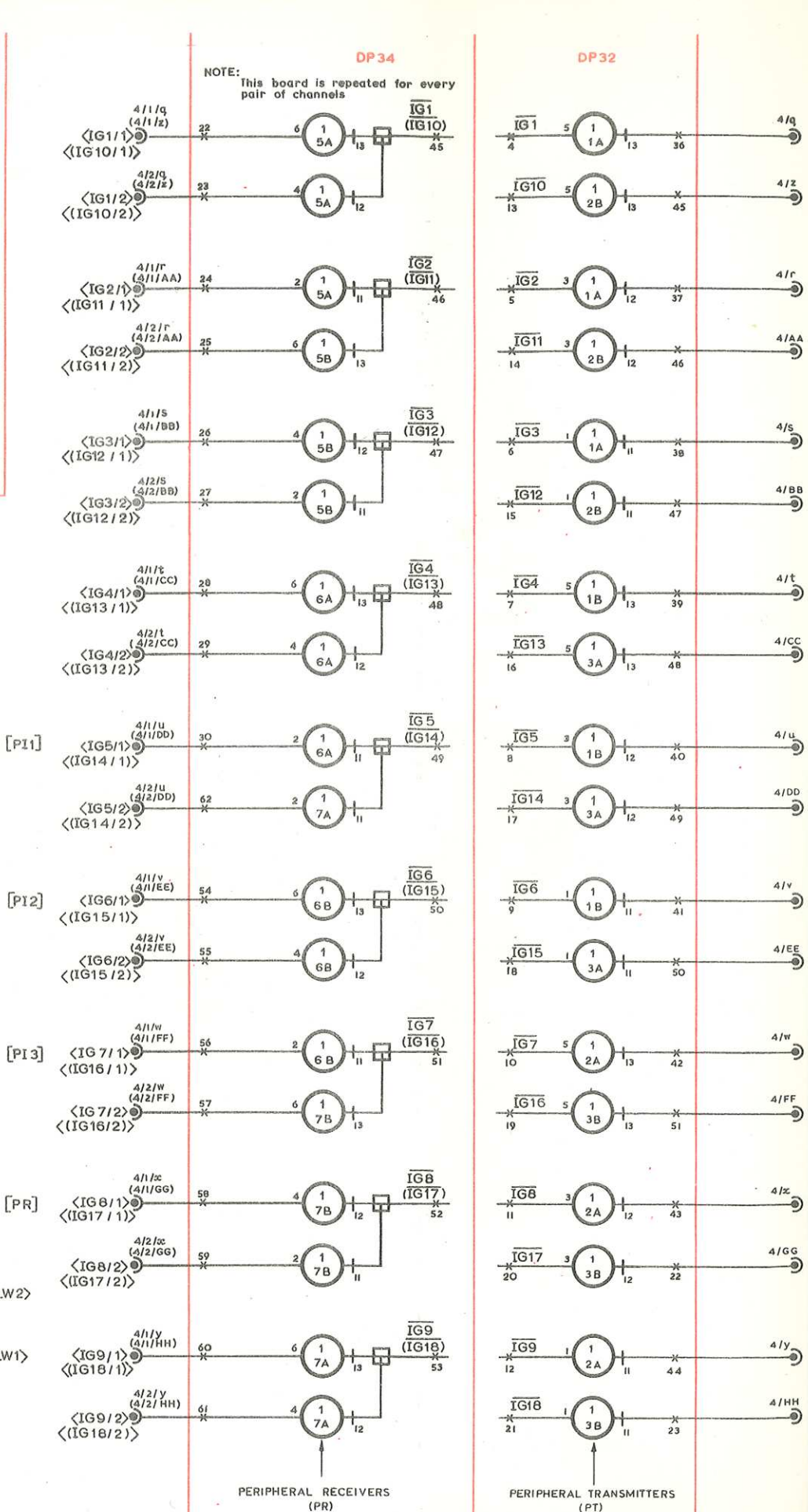
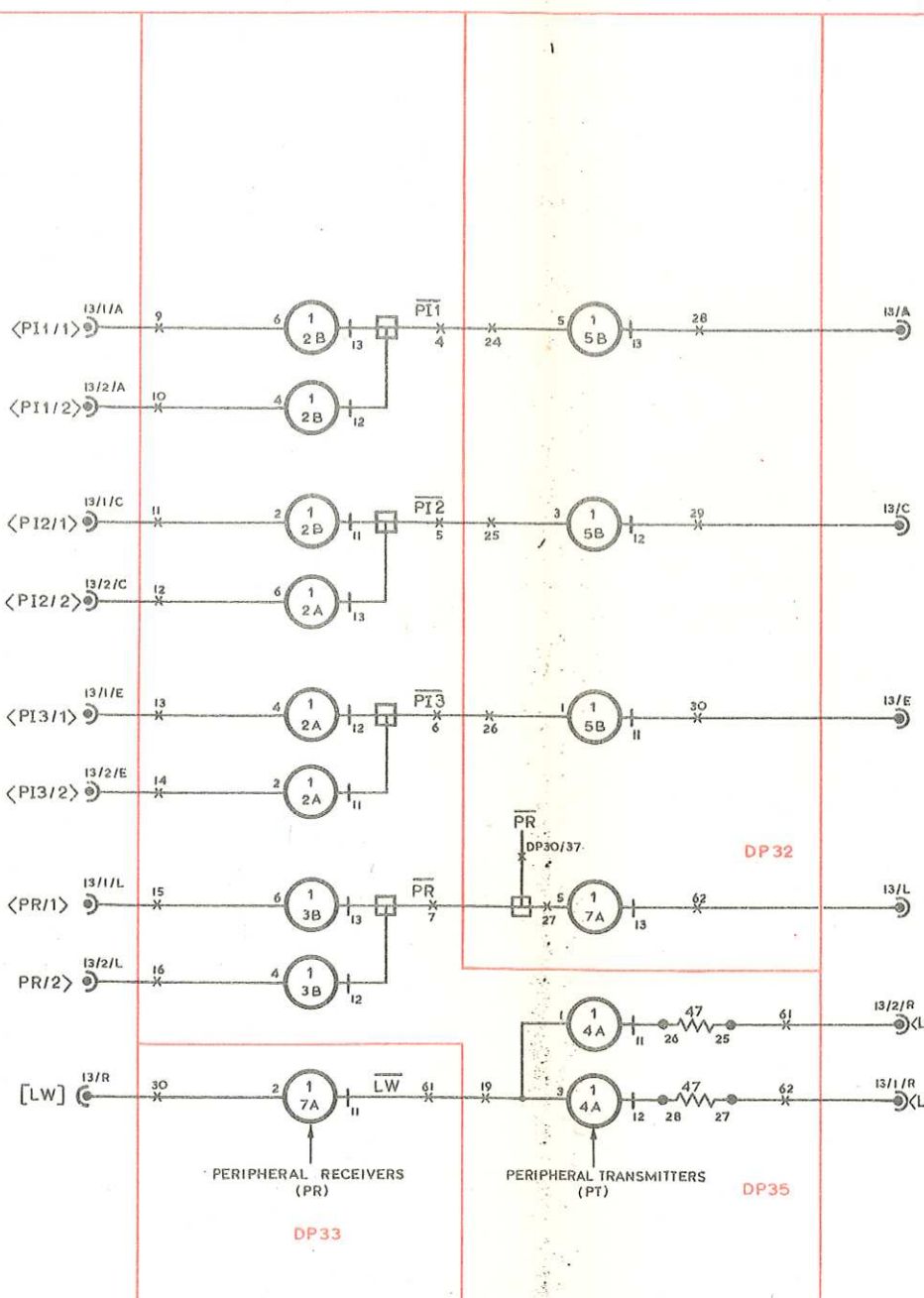
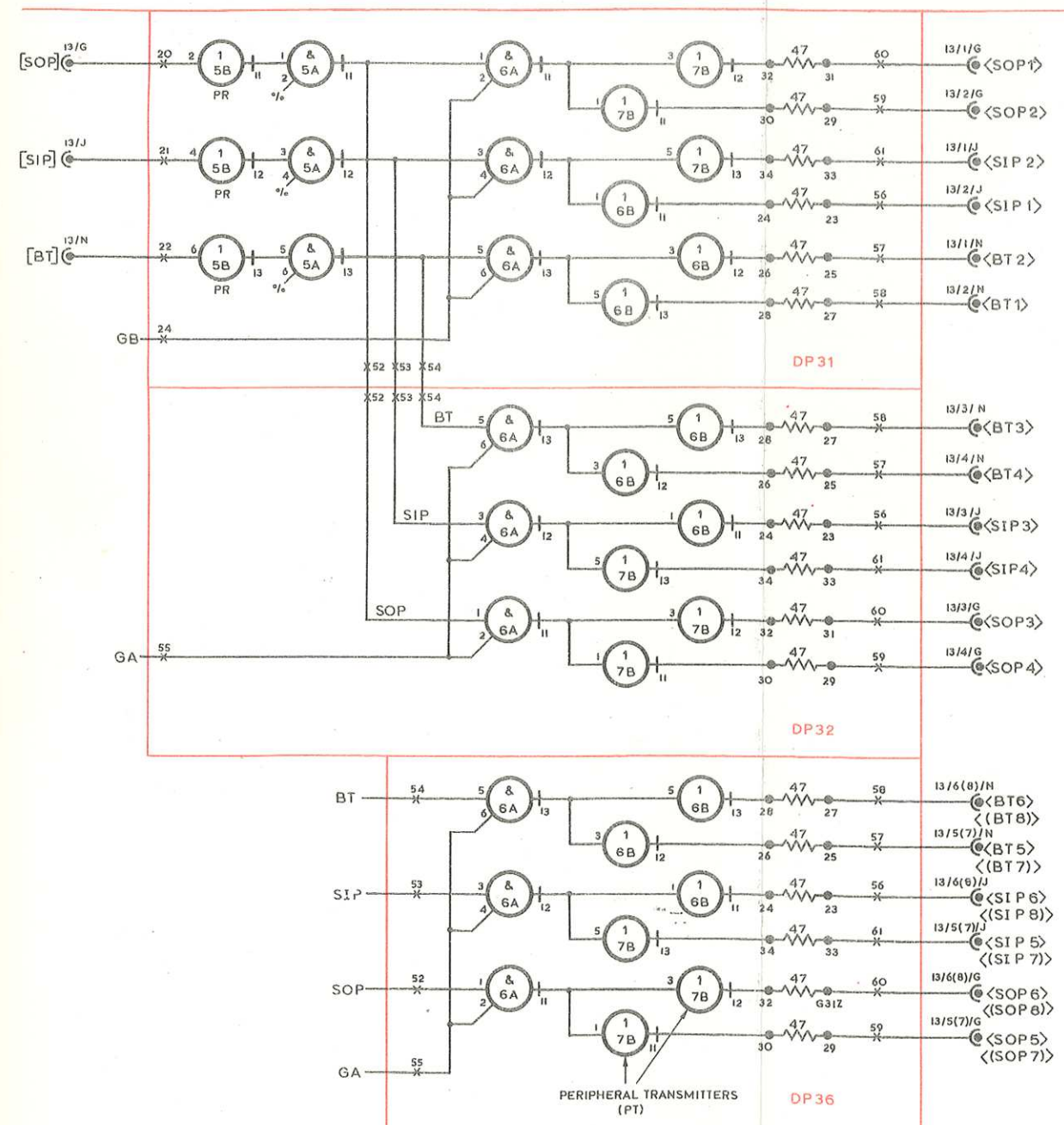
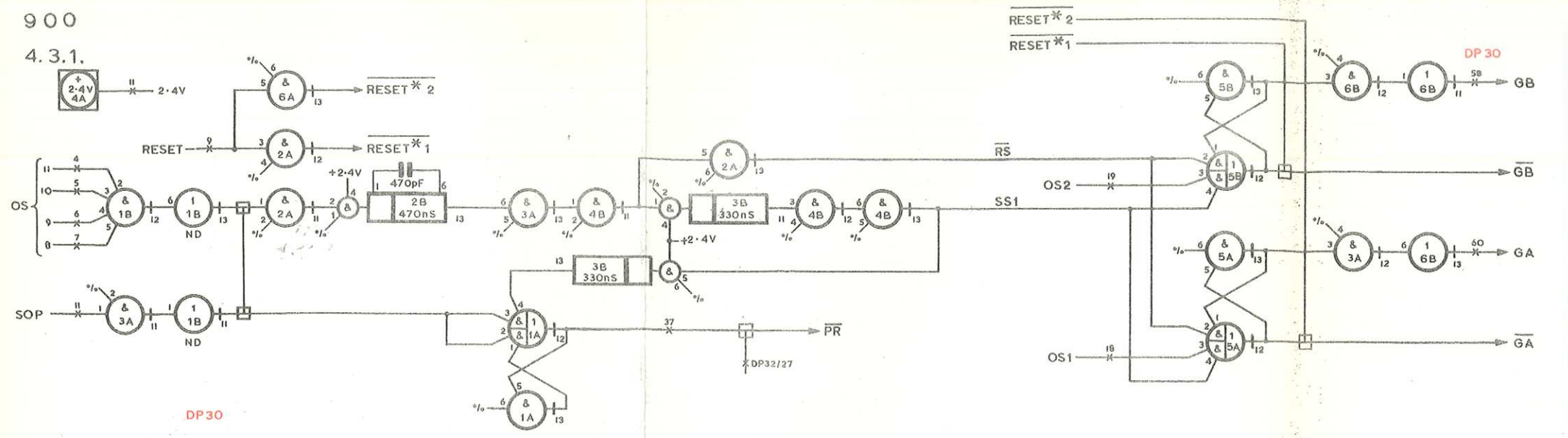
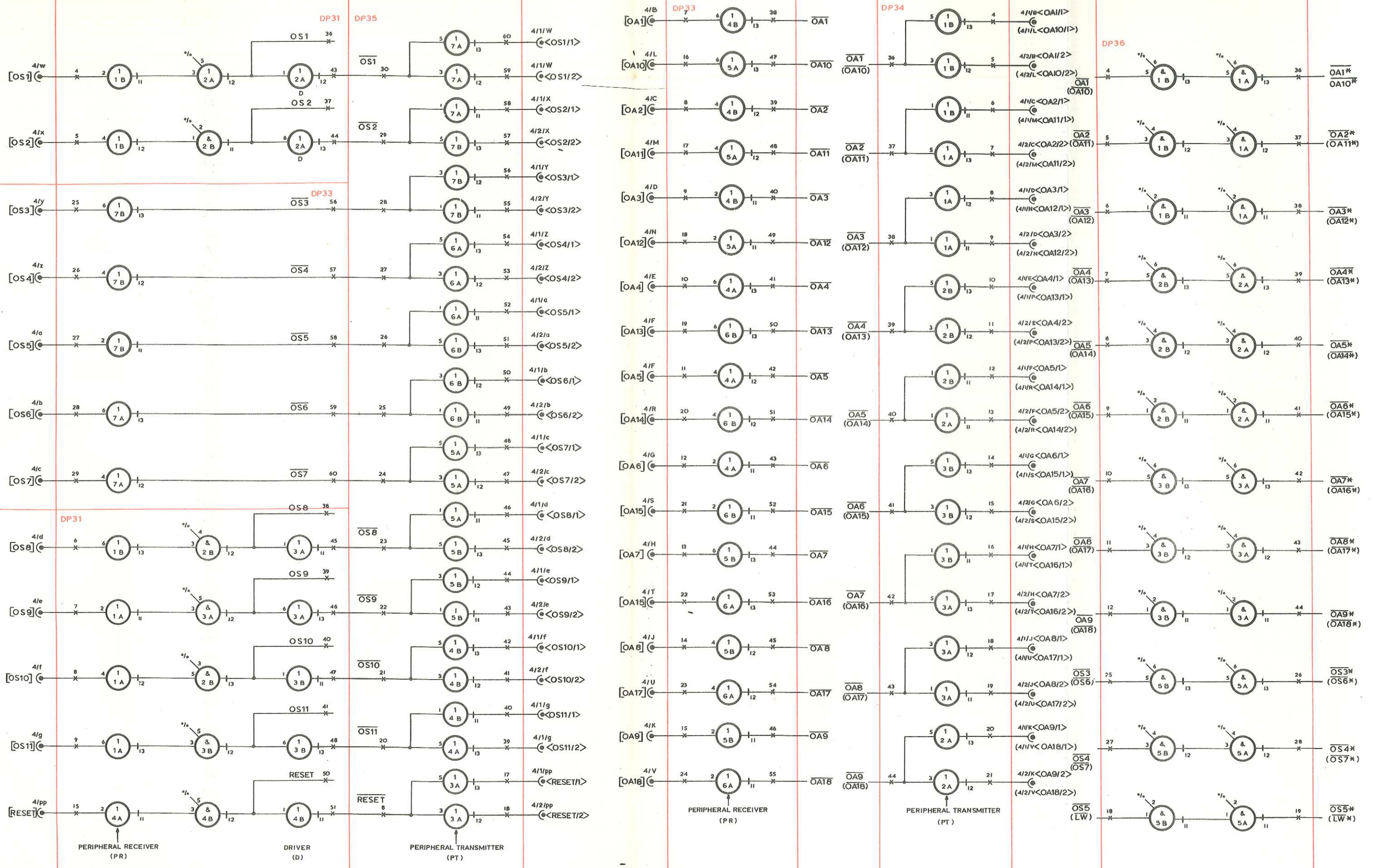
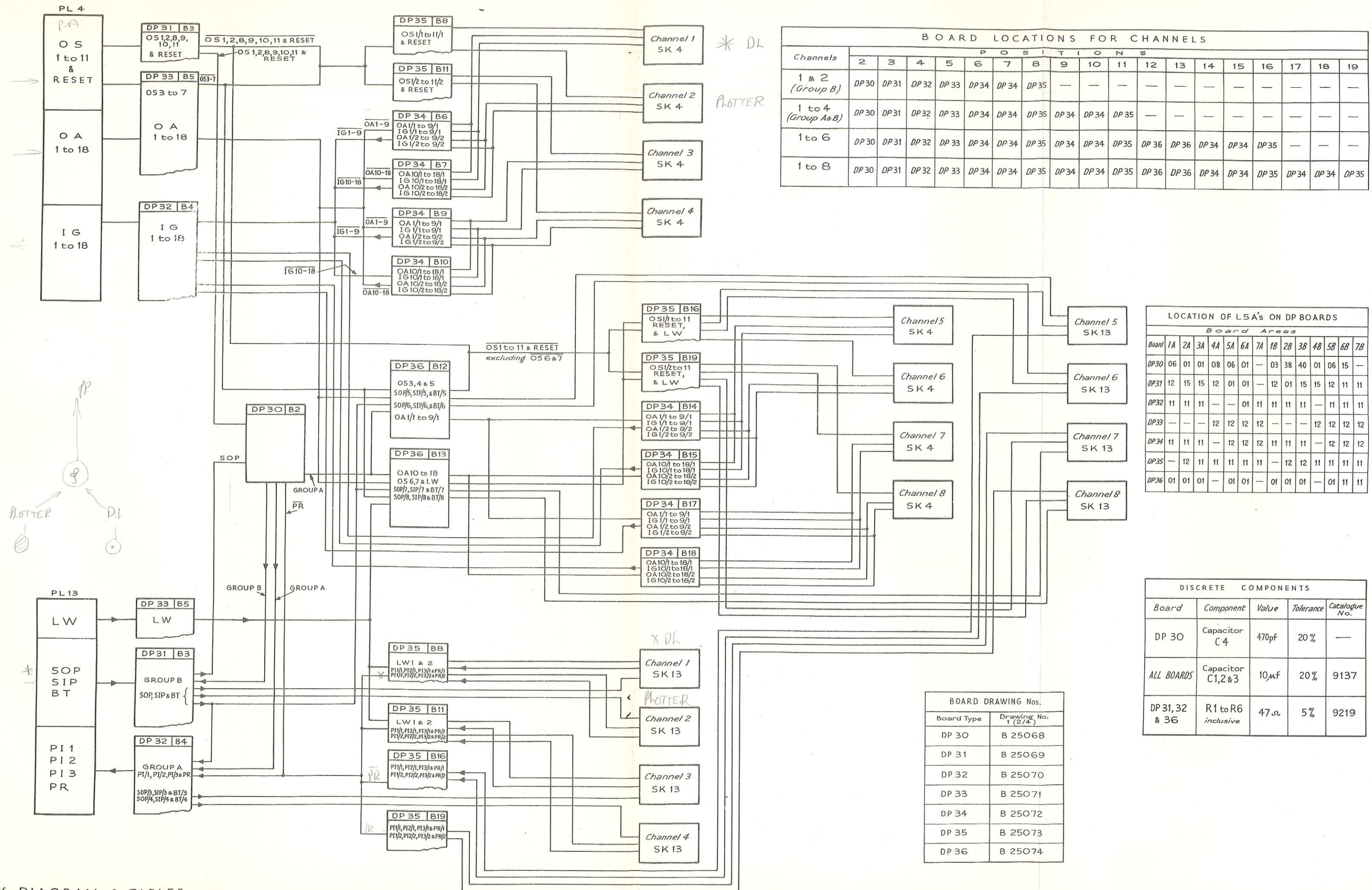


Figure 3 (ISSUE 3)





BOARD LOCATIONS FOR CHANNELS

Channels	POSITIONS																		
	2	3	4	5	6	7	8	9	10	11	12	13	14	15	16	17	18	19	
1 & 2 (Group B)	DP30	DP31	DP32	DP33	DP34	DP34	DP35	—	—	—	—	—	—	—	—	—	—	—	
1 to 4 (Group A & B)	DP30	DP31	DP32	DP33	DP34	DP34	DP35	DP34	DP34	DP35	—	—	—	—	—	—	—	—	
1 to 6	DP30	DP31	DP32	DP33	DP34	DP34	DP35	DP34	DP34	DP35	DP36	DP36	DP34	DP34	DP35	—	—	—	
1 to 8	DP30	DP31	DP32	DP33	DP34	DP34	DP35	DP34	DP34	DP35	DP36	DP36	DP34	DP34	DP35	DP34	DP34	DP35	

LOCATION OF LSA's ON DP BOARDS

Board Areas

Board	1A	2A	3A	4A	5A	6A	7A	1B	2B	3B	4B	5B	6B	7B
DP30	06	01	01	08	06	01	—	03	38	40	01	06	15	—
DP31	12	15	15	12	01	01	—	12	01	15	15	12	11	11
DP32	11	11	11	—	—	01	11	11	11	11	—	11	11	11
DP33	—	—	—	12	12	12	12	—	—	12	12	12	12	12
DP34	11	11	11	—	12	12	12	11	11	11	—	12	12	12
DP35	—	12	11	11	11	11	11	—	12	12	11	11	11	11
DP36	01	01	01	—	01	01	—	01	01	01	—	01	11	11

DISCRETE COMPONENTS

Board	Component	Value	Tolerance	Catalogue No.
DP 30	Capacitor C4	470pf	20%	—
ALL BOARDS	Capacitor C1,2&3	10mf	20%	9137
DP 31,32 & 36	R1 to R6 inclusive	47Ω	5%	9219

BOARD DRAWING Nos.

Board Type	Drawing No. 1(2/4)
DP 30	B 25068
DP 31	B 25069
DP 32	B 25070
DP 33	B 25071
DP 34	B 25072
DP 35	B 25073
DP 36	B 25074